

# Indoor Riser Rated Tube Cables

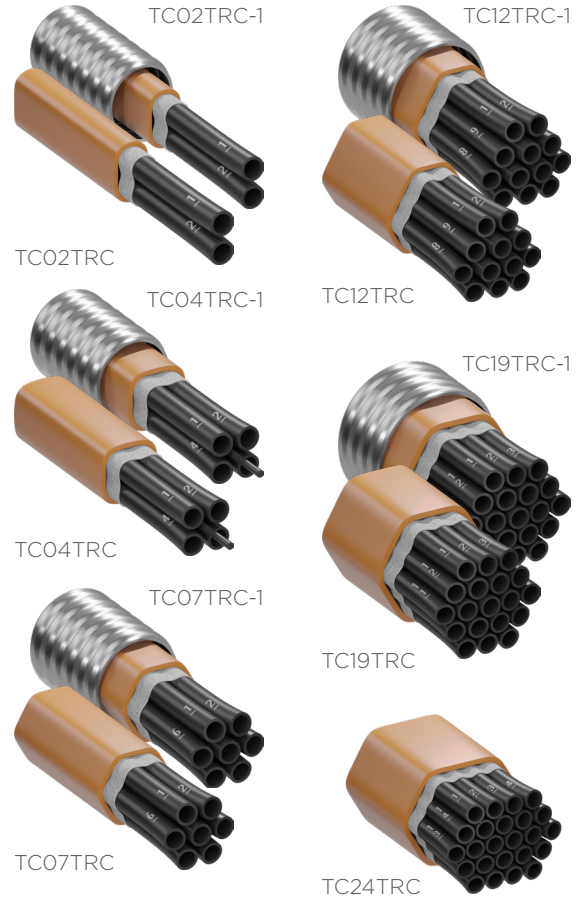
Sumitomo Electric Lightwave's Indoor Riser Rated Tube Cables are designed for constructing indoor tube cable infrastructures and are UL OFNR listed for riser transitions between building floors. These multi-tube cables are ideal for intrabuilding backbones.

## FEATURES

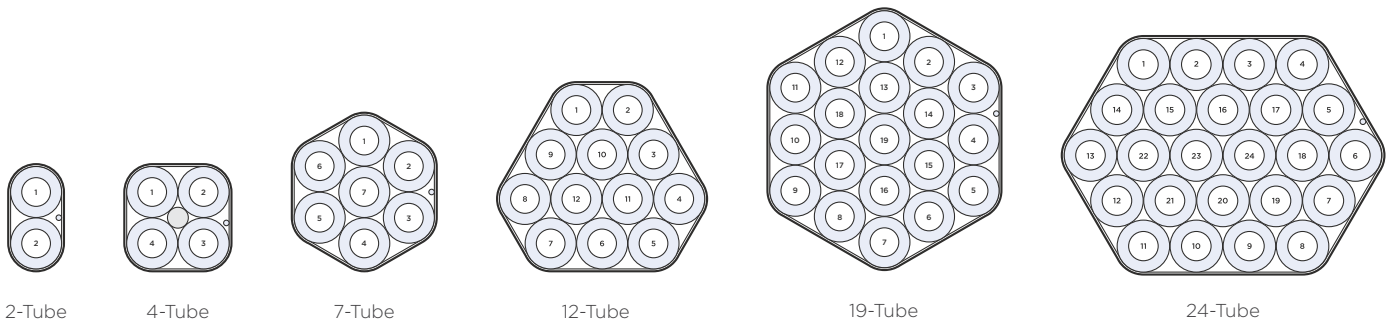
- Flame-Resistant PVC Jacket Materials
- Flame-Barrier Tape
- Ripcords Provided to Aid in Outer Jacket Removal
- Cable Length Markings at 2-foot Intervals
- Tube ID Numbers Marked at 2-inch Intervals
- UL 1666 OFNR / cUL FT4 All-Dielectric
- Meets ICEA, TIA, and UL Standards

## SPECIFICATIONS

PROPERTY	SPECIFICATION
OFNR Riser-Rated	UL 1666, cUL FT4, CSA FT4 Listed
Operation Temperature Range	-4° F to +158°F (-20° C to +70° C)
Minimum Bend Radius (During/After Installation)	20 / 10 x Cable OD
Standard Reel Length	3,000 ft (+30 ft / -0 ft)
Maximum Reel Length	3,000 ft (+30 ft / -0 ft)
Metallic Elements (Armored Only)	Bonding / Grounding Required
Inner Tube ID / OD	6 mm / 8 mm



## TUBE COUNTS



## ORDERING INFORMATION

### Non-Armored Tube Cables (TRC Series)

UL/cUL/OFNR-Rated Tube Cables; Single Jacket

PART NUMBER	TUBE COUNT	O.D.	MAX WEIGHT	MAX TENSILE LOAD	STD LENGTH	MAX LENGTH
		IN	LBS/KFT	LBS	FT	FT
TC02TRC	2	0.80	140	120	3,000	3,000
TC04TRC	4 (CSM)	0.90	210	200	3,000	3,000
TC07TRC	7	1.00	310	400	3,000	3,000
TC12TRC	12	1.48	480	400	3,000	3,000
TC19TRC	19	1.70	574	500	3,000	3,000
TC24TRC	24	2.02	793	500	2,000	2,000

### Armored Tube Cables (TRC-1 Series)

UL/cUL/OFNR-Rated Tube Cables; Single Jacket with Interlocked Galvanized Steel Armor (No Armor Overjacket)

PART NUMBER	TUBE COUNT	O.D.	MAX WEIGHT	MAX TENSILE LOAD	STD LENGTH	MAX LENGTH
		IN	LBS/KFT	LBS	FT	FT
TC02TRC-1	2	1.08	543	500	3,000	3,000
TC04TRC-1	4 (CSM)	1.20	748	500	3,000	3,000
TC07TRC-1	7	1.39	982	600	3,000	3,000
TC12TRC-1	12	1.73	1,101	600	3,000	3,000
TC19TRC-1	19	2.03	1,783	600	2,500	2,500

To learn more information visit [www.SumitomoElectricLightwave.com](http://www.SumitomoElectricLightwave.com)